

Diaphragm Valve, Metal

Construction

The GEMÜ 687 pneumatically operated 2/2-way diaphragm valve has a low maintenance actuator. Normally Closed, Normally Open and Double Acting control functions are available.

Features

- Suitable for inert and corrosive* liquid and gaseous media
- Chemical resistance of actuator
- Stainless steel body with CIP/SIP cleaning and sterilising capabilities
- Insensitive to particulate media
- Valve body and diaphragm available in various materials and designs
- Various connections available
- Surface finishes down to 0.25 µm, electropolished
- Versions according to ATEX on request

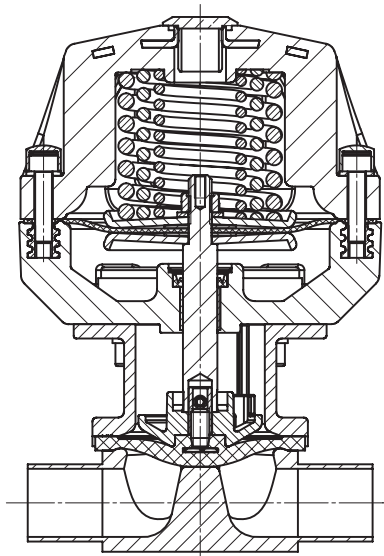
Advantages

- The modular actuator system permits a variety of options to be used such as tank bottom valves, T valves, sampling valves, multi-port valves and tandem welded configurations
- Optional flow direction, will seal in either flow direction up to full operating pressure
- Optional mounting position
- Optional accessories:
 - Stroke limiter
 - Optical position indicator
 - Manual override (GEMÜ 1002, GEMÜ 1004)
 - Pilot valve with manual override (GEMÜ 0322 - 0326)
 - Electrical position indicators

*see information on working medium on page 2



Sectional drawing



Technical data

Working medium

Corrosive, inert, gaseous and liquid media which have no negative impact on the physical and chemical properties of the body and diaphragm material.

Operating temperature max. 150° C
(dependent on medium wetted materials)

Filling volume (control function 1)

Actuator size B/N	0.023 dm ³
Actuator size 1/N	0.150 dm ³
Actuator size 2/N	0.350 dm ³
Actuator size 3/N	1.100 dm ³
Actuator size 4/N	2.500 dm ³

Control medium

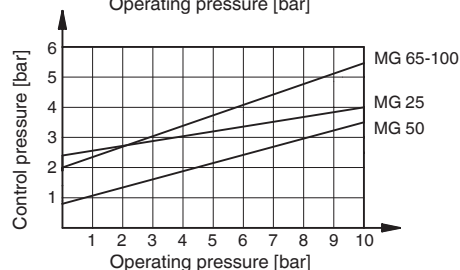
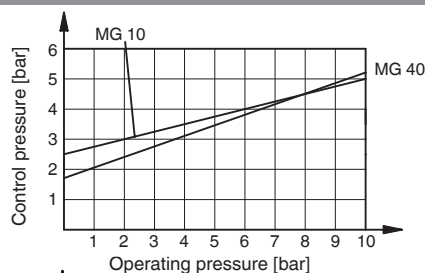
Inert gases

Max. perm. temperature of control medium 40° C

Ambient conditions

Max. ambient temperature 60° C

Control functions 2 + 3



The values shown relate to control function 2 (with lifting spring).
For control function 3 DN 15 - 25 (without lifting spring) control pressure is approx. 1.5 bar lower.
For control function 3 DN 32 - 100 (without lifting spring) control pressure is approx. 1 bar lower.

		Control function 1			Control function 2			Control function 3			Weight C.f. 1 [kg]
		Operating pressure [bar] / diaphragm material		Control pressure [bar]	Operating pressure [bar] / diaphragm material		Control pressure [bar]	Operating pressure [bar] / diaphragm material		Control pressure [bar]	
MG	DN	EPDM / FPM	PTFE	[bar]	EPDM / FPM	PTFE	[bar]	EPDM / FPM	PTFE	[bar]	
10	10	10	6	3.5 - 7.0	10	6	max. 5.5 bar	10	6	max. 5.5 bar	0.80
	15										0.85
	20										0.90
25	15	10	6	5.5 - 7.0	10	6	for values see diagram	10	6	for values see diagram	2.30
	20										2.40
	25										2.70
40	32	10	6	5.5 - 7.0	10	6	for values see diagram	10	6	for values see diagram	5.90
	40										6.30
50	50	10	6	5.5 - 7.0	10	6	for values see diagram	10	6	for values see diagram	10,10
	80										24.00
80	65	8	5	5.0 - 7.0	8	6	for values see diagram	8	6	for values see diagram	24.00
	80										24.00
100	100	6	4	5.5 - 7.0	6	4	for values see diagram	6	4	for values see diagram	30.00

All pressures are gauge pressures. Operating pressure values were determined with static operating pressure applied on one side of a closed valve. Sealing at the valve seat and atmospheric sealing is ensured for the given values. Information on operating pressures applied on both sides and for high purity media on request. Higher operating pressures on request. MG = diaphragm size

Kv values [m³/h]

MG	DN	DIN Code 0	DIN 11850 Series 1 Code 16	DIN 11850 Series 2 Code 17	DIN 11850 Series 3 Code 18	SMS 3008 Code 37	ASME BPE Code 59	EN ISO 1127 Code 60
10	10	-	2.4	2.4	2.4	-	2.2	3.3
	15	3.3	3.8	3.8	3.8	-	2.2	4.0
	20	-	-	-	-	-	3.8	-
25	15	4.1	4.7	4.7	4.7	-	-	7.4
	20	6.3	7.0	7.0	7.0	-	4.4	13.2
	25	13.9	15.0	15.0	15.0	12.6	12.2	16.2
40	32	25.3	27.0	27.0	27.0	26.2	-	30.0
	40	29.3	30.9	30.9	30.9	30.2	29.5	32.8
50	50	46.5	48.4	48.4	48.4	51.7	50.6	55.2
80	65	-	-	77.0	-	68.5	68.5	96.0
	80	-	-	111.0	-	80.0	87.0	111.0
100	100	-	-	194.0	-	173.0	188.0	214.0

Kv values determined acc. to IEC 534 standard, inlet pressure 6 bar, Δ p 1 bar, stainless steel valve body and soft elastomer diaphragm.

Order data

Body configuration	Code
Tank valve body	B**
2/2-way body	D
Multi-port design	M**
T body	T*
* For dimensions see T Valves brochure	
** Dimensions and versions on request or according to customer requirements	

Connection	Code
Butt weld spigots	
Spigots DIN	0
Spigots DIN 11850, series 1	16
Spigots DIN 11850, series 2	17
Spigots DIN 11850, series 3	18
Spigots DIN 11866, series A	1A
Spigots DIN 11866, series B	1B
Spigots JIS-G 3447	35
Spigots JIS-G 3459	36
Spigots SMS 3008	37
Spigots BS 4825, part 1	55
Spigots ASME BPE	59
Spigots EN ISO 1127	60
Spigots ANSI/ASME B36.19M, Schedule 10s	63
Spigots ANSI/ASME B36.19M, Schedule 40s	65
Threaded connections	
Threaded sockets DIN ISO 228	1
Threaded spigots DIN 11851	6
One side threaded spigot, other side cone spigot and union nut, DIN 11851	62
Aseptic unions on request	
Flanges	
Flanges EN 1092 / PN16 / form B, length EN 558, series 1, ISO 5752, basic series 1	8
Flanges ANSI class 125/150 RF length MSS SP-88	38
Flanges ANSI class 125/150 RF length EN 558, series 1 ISO 5752, basic series 1	39
Clamp connections	
Clamps ASME BPE for pipe ASME BPE, short design	80
Clamps DIN 32676 series B for pipe EN ISO 1127, length EN 558, series 7	82
Clamps ASME BPE for pipe ASME BPE, length EN 558, series 7	88
Clamps DIN 32676 series A for pipe DIN 11850, length EN 558, series 7	8A
Clamps SMS 3017 for pipe SMS 3008, length EN 558, series 7	8E
Aseptic clamps on request	
For overview of available valve bodies for GEMÜ 687 see page 8	

Valve body material	Code
EN-GJS-400-18-LT (SG iron 40.3) PFA lined	17
EN-GJS-400-18-LT (SG iron 40.3) PP lined	18
1.4435 - BN2 (CF3M), investment casting Fe<0.5%	32
1.4435 (ASTM A 351 CF3M \triangleq 316L), investment casting	34
1.4408, investment casting	37
1.4408, PFA lined	39
1.4435 (316L), forged body	40
1.4435 (BN2), forged body Fe<0.5%	42
EN-GJS-400-18-LT (SG iron 40.3) hard rubber lined	83

Diaphragm material	Code
FPM	4
EPDM	max. 130°C* 12
EPDM	max. 150°C* 13
EPDM	max. 150°C* 16
EPDM	max. 150°C* 17
PTFE/EPDM convex, PTFE loose	max. 150°C* 5E
PTFE/FPM convex, PTFE loose	max. 150°C* 5F
PTFE/EPDM, PTFE lamin.	max. 150°C* 52

For compatibility see overview on page 8

* Steam sterilisation temperature / 20 min

Material complies with FDA requirements, except codes 4 and 5F

The combination of PFA linings with 5E diaphragms is only conditionally suitable for gaseous media.

If low seat leakage rates are required for gaseous media, other combinations are preferable.

Control function	Code
Normally closed (NC)	1
Normally open (NO)	2
Double acting (DA)	3

Actuator size	Code
Diaphragm size 10	B/N
Diaphragm size 25	1/N
Diaphragm size 40	2/N
Diaphragm size 50	3/N
Diaphragm size 80	4/N
Diaphragm size 100	5/N

Surface finish	Code
See top of page 4	

Order example	687	25	D	60	34	13	1	1/N	1503
Type	687								
Nominal size		25							
Body configuration (code)			D						
Connection (code)				60					
Valve body material (code)					34				
Diaphragm material (code)						13			
Control function (code)							1		
Actuator size (code)								1/N	
Surface finish (code)									1503

Valve body surface finish, internal contour		Code
Ra ≤ 6.3 µm	blasted internal/external	1500*
Ra ≤ 6.3 µm	electropolished internal/external	1509*
Ra ≤ 0.8 µm	mechanically polished internal, blasted external	1502
Ra ≤ 0.8 µm	electropolished internal/external	1503
Ra ≤ 0.6 µm	mechanically polished internal, blasted external	1507
Ra ≤ 0.6 µm	electropolished internal/external	1508
Ra ≤ 0.4 µm	mechanically polished internal, blasted external	1536
Ra ≤ 0.4 µm	electropolished internal/external	1537
Ra ≤ 0.25 µm	mechanically polished internal, blasted external	1527
Ra ≤ 0.25 µm	electropolished internal/external	1516

Ra acc. to DIN 4768; at defined reference points
Surface finish data refer to medium wetted surfaces

* only investment cast design

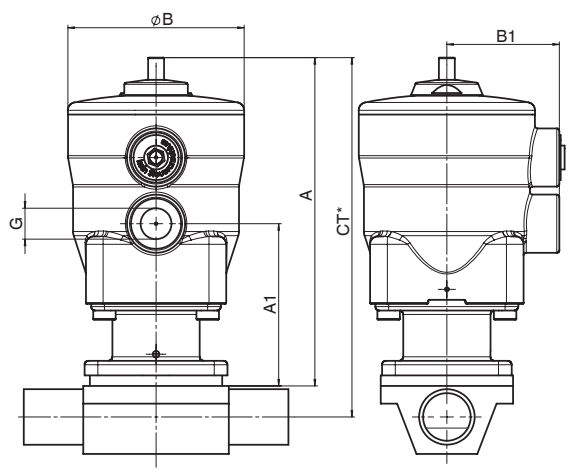
Actuator dimensions - control function 1 [mm]						
MG	Actuator size	ø B	B2	A	A1	G
10	B/N	67	44	125	62	G 1/4
25	1/N	128	-	152	66	G 1/4
40	2/N	158	-	187	86	G 1/4
50	3/N	213	-	221	97	G 1/4
80	4/N	259	-	332	172	G 1/4
100	5/N	259	-	328	169	G 1/4

MG = diaphragm size

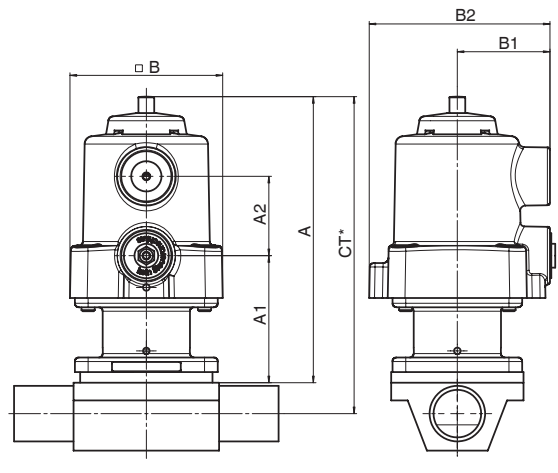
Actuator dimensions - control functions 2 + 3 [mm]								
MG	Actuator size	ø B	A	A1	A2	B2	B2	G
10	B/N	57	110	49	30	35	68	G 1/4
25	1/N	128	117	66	28	-	-	G 1/4
40	2/N	158	143	84	27	-	-	G 1/4
50	3/N	213	167	96	28	-	-	G 1/4
80	4/N	258	282	170	45	-	-	G 1/4
100	5/N	258	278	165	45	-	-	G 1/4

MG = diaphragm size

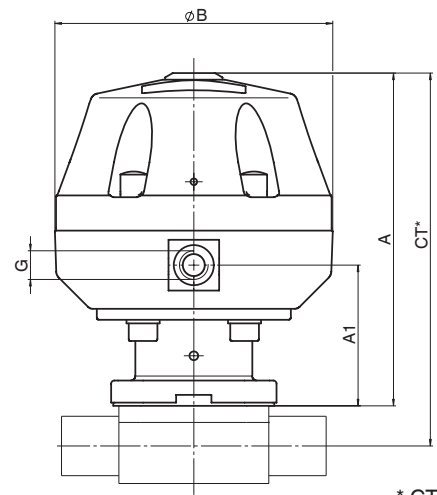
Control function 1 - Diaphragm size 10



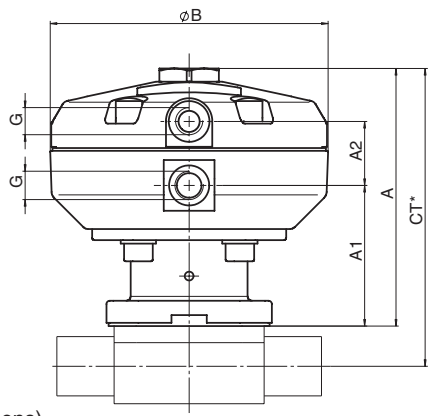
Control functions 2+3 - Diaphragm size 10



Control function 1 - Diaphragm size 25 - 100



Control functions 2+3 - Diaphragm size 25 - 100



* CT = A + H1 (see body dimensions)

Body dimensions [mm]

Butt weld spigots, connection code 0, 16, 17, 18, 1A, 1B, 60 Valve body material: Investment casting (code 34), forged body (code 40)

									DIN Series 0 Code 0		DIN 11850 Series 1 Code 16		DIN 11850 Series 2 Code 17		DIN 11850 Series 3 Code 18		DIN 11866 Series A Code 1A		DIN 11866 Series B Code 1B		EN ISO 1127 Code 60	
MG	DN	NPS	f*	øg*	L	c	H1*	H1**	ød	s	ød	s	ød	s	ød	s	ød	s	ød	s	ød	s
10	10	3/8"	30	13.5	108	25	12.5		-	-	12	1.0	13	1.5	14	2.0	13	1.5	17.2	1.6	17.2	1.6
	15	1/2"	30	13.5	108	25	12.5		18	1.5	18	1.0	19	1.5	20	2.0	19	1.5	21.3	1.6	21.3	1.6
	20	3/4"	30	13.5	108	25	12.5		-	-	-	-	-	-	-	-	-	-	-	-	-	-
25	15	1/2"	40	13.5	120	25	13.0	19.0	18	1.5	18	1.0	19	1.5	20	2.0	19	1.5	21.3	1.6	21.3	1.6
	20	3/4"	40	13.5	120	25	16.0	19.0	22	1.5	22	1.0	23	1.5	24	2.0	23	1.5	26.9	1.6	26.9	1.6
	25	1"	40	13.5	120	25	19.0	19.0	28	1.5	28	1.0	29	1.5	30	2.0	29	1.5	33.7	2.0	33.7	2.0
40	32	1 1/4"	68	13.5	153	25	24.0	26.0	34	1.5	34	1.0	35	1.5	36	2.0	35	1.5	42.4	2.0	42.4	2.0
	40	1 1/2"	75	13.5	153	25	26.0	26.0	40	1.5	40	1.0	41	1.5	42	2.0	41	1.5	48.3	2.0	48.3	2.0
50	50	2"	90	13.5	173	30	32.0	32.0	52	1.5	52	1.0	53	1.5	54	2.0	53	1.5	60.3	2.0	60.3	2.0
80	65	2 1/2"	-	-	216	30	-	62.0	-	-	-	-	70	2.0	-	-	70	2.0	76.1	2.0	76.1	2.0
	80	3"	-	-	254	30	-	62.0	-	-	-	-	85	2.0	-	-	85	2.0	88.9	2.3	88.9	2.3
100	100	4"	-	-	305	30	-	76.0	-	-	-	-	104	2.0	-	-	104	2.0	114.3	2.3	114.3	2.3

* only for investment cast design

** only for forged design

MG = diaphragm size

For materials see overview on last page

Butt weld spigots, connection code 35, 36, 37, 55, 59, 63, 65 Valve body material: Investment casting (code 34), forged body (code 40)

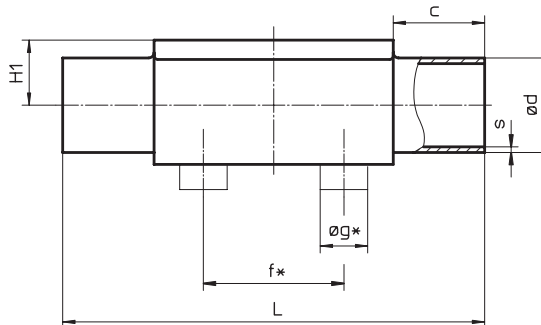
									JIS-G 3447 Code 35		JIS-G 3459 Code 36		SMS 3008 Code 37		BS 4825 Code 55		ASME BPE Code 59		ANSI/ASME B36.19M 10s Code 63		ANSI/ASME B36.19M 40s Code 65	
MG	DN	NPS	f*	øg*	L	c	H1*	H1**	ød	s	ød	s	ød	s	ød	s	ød	s	ød	s	ød	s
10	10	3/8"	30	13.5	108	25	12.5		-	-	17.3	1.65	-	-	9.53	1.2	9.53	0.89	17.1	1.65	17.1	2.31
	15	1/2"	30	13.5	108	25	12.5		-	-	21.7	2.10	-	-	12.70	1.2	12.70	1.65	21.3	2.11	21.3	2.77
	20	3/4"	30	13.5	108	25	12.5		-	-	-	-	-	-	19.05	1.2	19.05	1.65	-	-	-	-
25	15	1/2"	40	13.5	120	25	13.0	19.0	-	-	21.7	2.10	-	-	-	-	-	-	21.3	2.11	21.3	2.77
	20	3/4"	40	13.5	120	25	16.0	19.0	-	-	27.2	2.10	-	-	19.05	1.2	19.05	1.65	26.7	2.11	26.7	2.87
	25	1"	40	13.5	120	25	19.0	19.0	25.4	1.2	34.0	2.80	25.0	1.2	-	-	25.40	1.65	33.4	2.77	33.4	3.38
40	32	1 1/4"	68	13.5	153	25	24.0	26.0	31.8	1.2	42.7	2.80	33.7	1.2	-	-	-	-	42.2	2.77	42.2	3.56
	40	1 1/2"	75	13.5	153	25	26.0	26.0	38.1	1.2	48.6	2.80	38.0	1.2	-	-	38.10	1.65	48.3	2.77	48.3	3.68
50	50	2"	90	13.5	173	30	32.0	32.0	50.8	1.5	60.5	2.80	51.0	1.2	-	-	50.80	1.65	60.3	2.77	60.3	3.91
80	65	2 1/2"	-	-	216	30	-	62.0	63.5	2.0	76.3	3.00	63.5	1.6	-	-	63.50	1.65	73.0	3.05	73.0	5.16
	80	3"	-	-	254	30	-	62.0	76.3	2.0	89.1	3.00	76.1	1.6	-	-	76.20	1.65	88.9	3.05	88.9	5.49
100	100	4"	-	-	305	30	-	76.0	101.6	2.0	114.3	3.00	101.6	2.0	-	-	101.60	2.11	114.3	3.05	114.3	6.02

* only for investment cast design

** only for forged design

MG = diaphragm size

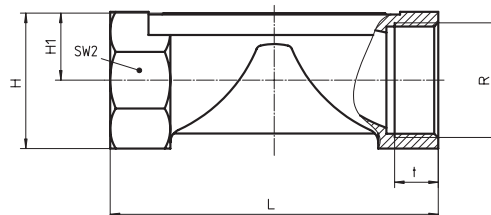
For materials see overview on last page



Body dimensions [mm]

Threaded sockets, connection code 1 Valve body material: Investment casting (code 34, 37)

MG	DN	R	L	H	H1	t	SW2	Number of flats
10	12	G 3/8	55	23	10.5	13	22	2
	15	G 1/2	68	29	13.5	15	24	2
25	15	G 1/2	85	30	16.0	9	27	6
	20	G 3/4	85	33	17.0	10	32	6
40	25	G 1	110	37	17.0	13	41	6
	32	G 1 1/4	120	50	25.0	16	50	8
50	40	G 1 1/2	140	52	25.0	18	55	8
	50	G 2	165	69	34.0	18	70	8



For materials see overview on last page

MG = diaphragm size

Flanges - DIN EN 1092-2, connection code 8 Valve body material: SG iron 40.3 (code 17, 18, 83), 1.4435 (code 34, 40), 1.4408 (code 39)

MG	DN	øD	øk	øL	Number of bolt	H1			FTF
						Material code 17, 18, 39, 83	Material code 34	Material code 40	
25	15	95	65	14	4	18.0	13.0	19.0	130*
	20	105	75	14	4	20.5	16.0	19.0	150
	25	115	85	14	4	23.0	19.0	19.0	160
40	32	140	100	18	4	28.7	24.0	26.0	180
	40	150	110	18	4	33.0	26.0	26.0	200
50	50	165	125	18	4	39.0	32.0	32.0	230
80	65	185	145	18	4	-	-	62.0	290
	80	200	160	18	8	59.5	-	62.0	310
100	100	220	180	18	8	73.0	-	76.0	350

*Material code 34 L = 150 (no DIN length)

For materials see overview on last page

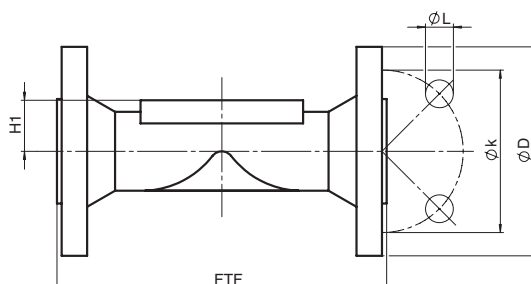
MG = diaphragm size

Flanges - ANSI B 16.5, connection code 38, 39 Valve body material: SG iron 40.3 (code 17, 18, 83), 1.4435 (code 34, 40), 1.4408 (code 39)

MG	DN	øD	øk	øL	Number of bolt	H1			FTF	
						Material code 17, 18, 39, 83	Material code 34	Material code 40	Connection code 38	Connection code 39
25	15	88.9	60.5	15.7	4	18.0	13.0	19.0	-	130
	20	98.6	69.9	15.7	4	20.5	16.0	19.0	146	150
	25	108.0	79.2	15.7	4	23.0	19.0	19.0	146	160
40	32	117.3	88.9	15.7	4	28.7	24.0	26.0	-	180
	40	127.0	98.6	15.7	4	33.0	26.0	26.0	175	200
50	50	152.4	120.7	19.1	4	39.0	32.0	32.0	200	230
80	65	177.8	139.7	19.1	4	-	-	62.0	226	290
	80	190.5	152.4	19.1	4	59.5	-	62.0	260	310
100	100	228.6	190.5	19.1	8	73.0	-	76.0	327	350

For materials see overview on last page

MG = diaphragm size



Body dimensions [mm]

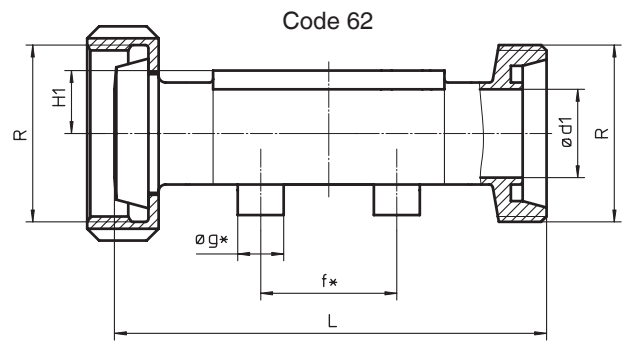
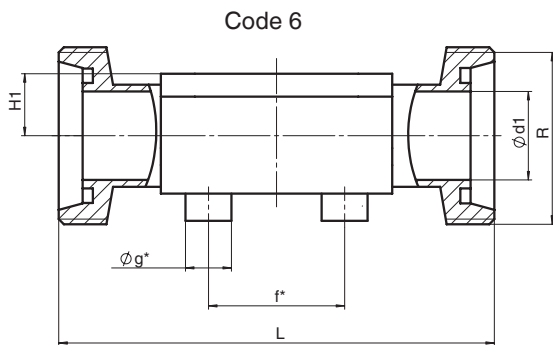
Threaded connections, connection code 6, 62 Valve body material: Investment casting (code 34), forged body (code 40)

Diaphragm size	DN	H1*	H1**	f*	øg*	ød1*	Thread to DIN 405 R	Code 6 L	Code 62 L
10	10	12.5	-	30.0	13.5	10.0	RD 28 x 1/8	118	116
	15	12.5	-	30.0	13.5	16.0	RD 34 x 1/8	118	116
25	15	13.0	19	40.0	13.5	16.0	RD 34 x 1/8	118	116
	20	16.0	19	40.0	13.5	20.0	RD 44 x 1/6	118	114
	25	19.0	19	40.0	13.5	26.0	RD 52 x 1/6	128	127
40	32	24.0	26	68.0	13.5	32.0	RD 58 x 1/6	147	147
	40	26.0	26	75.0	13.5	38.0	RD 65 x 1/6	160	160
50	50	32.0	32	90.0	13.5	50.0	RD 78 x 1/6	191	191
80	65	-	62	-	-	66.0	RD 95 x 1/6	246	246
	80	-	62	-	-	81.0	RD 110 x 1/4	256	256

* only for investment cast design

** only for forged design

For materials see overview on last page

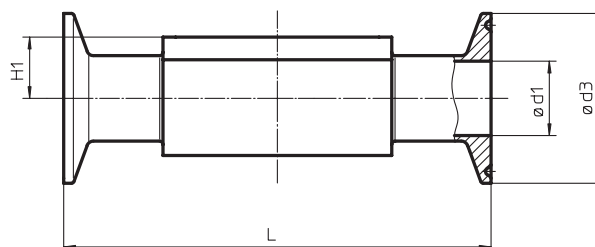


Clamp connections, connection code 80, 82, 88, 8A, 8E Valve body material: Forged body (code 40)

MG	DN	NPS	H1	for pipe ASME BPE Code 80			for pipe EN ISO 1127 Code 82			for pipe ASME BPE Code 88			for pipe DIN 11850 Code 8A			for pipe SMS 3008 Code 8E		
				ød1	ød3	L	ød1	ød3	L	ød1	ød3	L	ød1	ød3	L	ød1	ød3	L
10	10	3/8"	12.5	-	-	-	14.0	25.0	108	-	-	-	10	34.0	108	-	-	-
	15	1/2"	12.5	9.40	25.0	88.9	18.1	50.5	108	9.40	25.0	108	16	34.0	108	-	-	-
	20	3/4"	12.5	15.75	25.0	101.6	-	-	-	15.75	25.0	117	-	-	-	-	-	-
25	15	1/2"	19.0	9.40	25.0	101.6	18.1	50.5	108	9.40	25.0	108	16	34.0	108	-	-	-
	20	3/4"	19.0	15.75	25.0	101.6	23.7	50.5	117	15.75	25.0	117	20	34.0	117	-	-	-
	25	1"	19.0	22.10	50.5	114.3	29.7	50.5	127	22.10	50.5	127	26	50.5	127	22.6	50.5	127
40	32	1 1/4"	26.0	-	-	-	38.4	64.0	146	-	-	-	32	50.5	146	31.3	50.5	146
	40	1 1/2"	26.0	34.80	50.5	139.7	44.3	64.0	159	34.80	50.5	159	38	50.5	159	35.6	50.5	159
50	50	2"	32.0	47.50	64.0	158.8	56.3	77.5	190	47.50	64.0	190	50	64.0	190	48.6	64.0	190
80	65	2 1/2"	62.0	60.20	77.5	193.7	72.1	91.0	216	60.20	77.5	216	66	91.0	216	60.3	77.5	216
	80	3"	62.0	72.90	91.0	222.3	84.3	106.0	254	72.90	91.0	254	81	106.0	254	72.9	91.0	254
100	100	4"	76.0	97.38	119.0	292.1	109.7	130.0	305	97.38	119.0	305	100	119.0	305	97.6	119.0	305

For materials see overview on last page

MG = diaphragm size



Overview of valve bodies for GEMÜ 687																															
		Threaded connections								Spigots																					
Connection code		1		6		62		0		16		17		18		1A	1B	35		36		37		55		59		60		63	65
Material code		34	37	34	40	34	40	34	40	34	40	34	40	34	40	40	40	34	40	40	34	40	34	40	34	40	34	40	40	40	
MG	DN																														
10	10	-	-	W	W	W	W	-	-	X	X	X	X	X	X	X	X	-	-	X	-	-	-	X	-	X	X	X	X	X	
	12	X	-	-	-	-	-	-	-	-	-	-	-	-	-	-	-	-	-	-	-	-	-	-	-	-	-	-	-	-	
	15	X	-	W	W	W	W	X	X	X	X	X	X	X	X	X	X	-	-	X	-	-	X	X	-	X	X	X	X	X	
	20	-	-	-	-	-	-	-	-	-	-	-	-	-	-	-	-	-	-	-	-	-	X	X	X	X	-	-	-	-	
25	15	-	X	W	W	W	W	X	X	X	X	X	X	-	X	X	X	-	-	X	-	-	-	-	-	-	X	X	X	X	
	20	-	X	W	W	W	W	X	X	X	X	X	X	-	X	X	X	-	-	X	-	-	X	X	X	X	X	X	X	X	
	25	-	X	W	W	W	W	X	X	X	X	X	X	X	X	X	X	X	X	X	X	X	X	X	X	X	X	X	X	X	
40	32	-	X	W	W	W	W	X	X	X	X	X	X	X	X	X	X	X	X	X	X	X	X	X	X	X	X	X	X	X	
	40	-	X	W	W	W	W	X	X	X	X	X	X	X	X	X	X	X	X	X	X	X	X	X	X	X	X	X	X	X	
50	50	-	X	W	W	W	W	X	X	X	X	X	X	X	X	X	X	X	X	X	X	X	X	X	X	X	X	X	X	X	
80	65	-	-	-	W	-	W	-	-	-	-	-	X	-	-	X	X	-	X	X	-	X	-	-	-	X	-	X	X	X	
	80	-	-	-	W	-	W	-	-	-	-	-	X	-	-	X	X	-	X	X	-	X	-	-	-	X	-	X	X	X	
100	100	-	-	-	-	-	-	-	-	-	-	X*	-	-	X*	X*	-	X*	X*	-	X*	-	-	-	X*	-	X*	X*	X*	X*	

*Valve bodies are not suitable for use with diaphragms code 5E.

X Standard

W Welded construction

MG = diaphragm size

Overview of valve bodies for GEMÜ 687																						
		Clamps					Flanges															
Connection code		80	82	88	8A	8E	8						38				39					
Material code		40	40	40	40	40	17	18	34	39	40	83	17	18	39	83	17	18	34	39	40	83
MG	DN																					
10	10	-	K	-	K	-	-	-	-	-	-	-	-	-	-	-	-	-	-	-	-	
	15	K	W	K	K	-	-	-	-	-	-	-	-	-	-	-	-	-	-	-	-	
	20	K	-	K	-	-	-	-	-	-	-	-	-	-	-	-	-	-	-	-	-	
25	15	-	W	-	K	-	X	X	W	X	W	X	-	-	-	-	X	X	W	X	W	X
	20	K	K	K	K	-	X	X	W	X	W	X	X	X	X	X	X	X	W	X	W	X
	25	K	K	K	K	K	X	X	W	X	W	X	X	X	X	X	X	X	W	X	W	X
40	32	-	W	-	K	K	X	X	W	X	W	X	-	-	-	-	X	X	W	X	W	X
	40	K	W	K	K	K	X	X	W	X	W	X	X	X	X	X	X	X	W	X	W	X
50	50	K	W	K	K	K	X	X	W	X	W	X	X	X	X	X	X	X	W	X	W	X
80	65	K	K	K	K	K	-	-	-	-	W	-	-	-	-	-	-	-	-	-	W	-
	80	K	W	K	W	W	X	X	-	X	W	X	X	X	X	X	X	X	-	X	W	X
100	100	W*	W*	W	W*	W*	X	X	-	X	W*	X	X	X	X	X	X	X	-	X	W*	X

*Valve bodies are not suitable for use with diaphragms code 5E.

MG = diaphragm size

X Standard

K Connections completely machined (not welded)

W = Welded construction

Connection code 38 / Material code 18 on request

Availability of material code 32 same as code 34, code 42 same as code 40

Overview of diaphragm materials for GEMÜ 687								
		Diaphragm material						
Diaphragm size		FPM	EPDM	EPDM	EPDM	EPDM	PTFE/EPDM	PTFE/FPM
10		4	12	13	16	17	52	-
25		4	12	13	16	17	5E	5F
40		4	12	13	16	17	5E	5F
50		4	12	13	16	17	5E	5F
80		4	12	13	-	17	5E	5F
100		4	12	13	-	17	52	-

For further metal diaphragm valves, accessories and other products, please see our Product Range catalogue and Price List. Contact GEMÜ.

GEMÜ® VALVES, MEASUREMENT AND CONTROL SYSTEMS

